

Festpunkt Type FP

NW 200 - 1000

h = 100 / h = 160 / h = 220

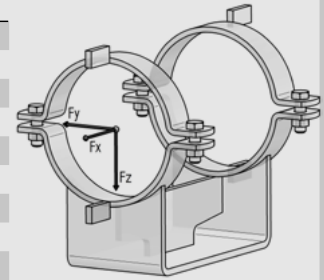
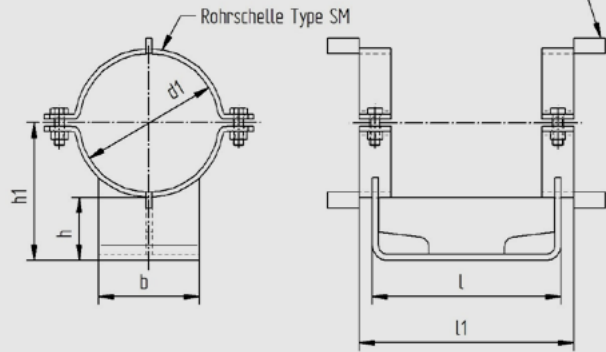
Jede andere Bauhöhe sowie ein Neigen der Rohrschellenachse ist möglich.

Tatsächliche Abmessungen der Rohrbefestigungen hängen von den einzelnen Profiltoleranzen ab.

Berechnungsgrundlagen der Belastungswerte siehe Seite 2.0 und 2.1. Die angegebenen Belastungswerte sind für Material S235JR bei Raumtemperatur angegeben.

Technische Änderungen vorbehalten.

Festpunktknagge (50mm x 25mm x 10mm)
aus Rohrwerkstoff, nicht im Lieferumfang.



| d1 | Nennweite | h | h1 | b | l | l1 | Gewicht kg/Stk. | Fx (kN) | Fy (kN) | Fz (kN) |
|------|-----------|-----|-----|-----|-----|-----|-----------------|---------|---------|---------|
| 204 | 200 | 100 | 210 | 160 | 300 | 340 | 13,37 | 15,0 | 2,5 | 16,0 |
| 220 | 200 | 100 | 218 | 160 | 300 | 340 | 13,67 | 15,0 | 2,5 | 16,0 |
| 254 | 250 | 100 | 235 | 200 | 300 | 340 | 18,53 | 15,0 | 2,5 | 16,0 |
| 273 | 250 | 100 | 244 | 200 | 300 | 340 | 18,32 | 15,0 | 2,5 | 16,0 |
| 305 | 300 | 100 | 260 | 200 | 300 | 340 | 19,02 | 15,0 | 2,5 | 16,0 |
| 324 | 300 | 100 | 270 | 200 | 300 | 340 | 19,47 | 15,0 | 2,5 | 16,0 |
| 356 | 350 | 100 | 286 | 240 | 300 | 340 | 21,93 | 20,0 | 4,0 | 18,0 |
| 407 | 400 | 100 | 313 | 300 | 300 | 340 | 32,15 | 20,0 | 4,0 | 24,0 |
| 457 | 450 | 100 | 338 | 300 | 300 | 340 | 33,80 | 20,0 | 4,0 | 24,0 |
| 508 | 500 | 100 | 364 | 300 | 300 | 340 | 35,43 | 20,0 | 4,0 | 24,0 |
| 610 | 600 | 100 | 415 | 400 | 500 | 540 | 53,21 | 20,0 | 4,0 | 24,0 |
| 712 | 700 | 100 | 466 | 400 | 500 | 540 | 56,78 | 20,0 | 4,0 | 24,0 |
| 813 | 800 | 100 | 516 | 450 | 700 | 740 | 72,76 | 20,0 | 4,0 | 24,0 |
| 915 | 900 | 100 | 567 | 450 | 700 | 740 | 81,37 | 20,0 | 4,0 | 24,0 |
| 1016 | 1000 | 100 | 618 | 450 | 700 | 740 | 85,49 | 20,0 | 4,0 | 24,0 |

| d1 | Nennweite | h | h1 | b | l | l1 | Gewicht kg/Stk. | Fx (kN) | Fy (kN) | Fz (kN) |
|------|-----------|-----|-----|-----|-----|-----|-----------------|---------|---------|---------|
| 204 | 200 | 160 | 270 | 200 | 300 | 340 | 18,42 | 15,0 | 2,5 | 16,0 |
| 220 | 200 | 160 | 278 | 200 | 300 | 340 | 18,56 | 15,0 | 2,5 | 16,0 |
| 254 | 250 | 160 | 295 | 200 | 300 | 340 | 21,70 | 15,0 | 2,5 | 16,0 |
| 273 | 250 | 160 | 304 | 200 | 300 | 340 | 21,49 | 15,0 | 2,5 | 16,0 |
| 305 | 300 | 160 | 320 | 240 | 300 | 340 | 24,29 | 15,0 | 2,5 | 16,0 |
| 324 | 300 | 160 | 330 | 240 | 300 | 340 | 24,73 | 15,0 | 2,5 | 16,0 |
| 356 | 350 | 160 | 346 | 260 | 300 | 340 | 26,54 | 20,0 | 4,0 | 18,0 |
| 407 | 400 | 160 | 373 | 370 | 300 | 340 | 44,28 | 20,0 | 4,0 | 24,0 |
| 457 | 450 | 160 | 398 | 370 | 300 | 340 | 45,65 | 20,0 | 4,0 | 24,0 |
| 508 | 500 | 160 | 424 | 370 | 300 | 340 | 47,15 | 20,0 | 4,0 | 24,0 |
| 610 | 600 | 160 | 475 | 400 | 500 | 540 | 65,73 | 20,0 | 4,0 | 24,0 |
| 712 | 700 | 160 | 526 | 400 | 500 | 540 | 69,26 | 20,0 | 4,0 | 24,0 |
| 813 | 800 | 160 | 576 | 450 | 700 | 740 | 88,32 | 20,0 | 4,0 | 24,0 |
| 915 | 900 | 160 | 627 | 450 | 700 | 740 | 96,88 | 20,0 | 4,0 | 24,0 |
| 1016 | 1000 | 160 | 678 | 450 | 700 | 740 | 100,98 | 20,0 | 4,0 | 24,0 |

| d1 | Nennweite | h | h1 | b | l | l1 | Gewicht kg/Stk. | Fx (kN) | Fy (kN) | Fz (kN) |
|------|-----------|-----|-----|-----|-----|-----|-----------------|---------|---------|---------|
| 204 | 200 | 220 | 330 | 200 | 300 | 340 | 24,35 | 15,0 | 2,5 | 16,0 |
| 220 | 200 | 220 | 338 | 200 | 300 | 340 | 24,61 | 15,0 | 2,5 | 16,0 |
| 254 | 250 | 220 | 355 | 200 | 300 | 340 | 27,73 | 15,0 | 2,5 | 16,0 |
| 273 | 250 | 220 | 364 | 200 | 300 | 340 | 27,51 | 15,0 | 2,5 | 16,0 |
| 305 | 300 | 220 | 380 | 240 | 300 | 340 | 31,14 | 15,0 | 2,5 | 16,0 |
| 324 | 300 | 220 | 390 | 240 | 300 | 340 | 31,58 | 15,0 | 2,5 | 16,0 |
| 356 | 350 | 220 | 406 | 260 | 300 | 340 | 29,73 | 20,0 | 4,0 | 18,0 |
| 407 | 400 | 220 | 433 | 370 | 300 | 340 | 49,59 | 20,0 | 4,0 | 24,0 |
| 457 | 450 | 220 | 458 | 370 | 300 | 340 | 51,21 | 20,0 | 4,0 | 24,0 |
| 508 | 500 | 220 | 484 | 370 | 300 | 340 | 52,79 | 20,0 | 4,0 | 24,0 |
| 610 | 600 | 220 | 535 | 400 | 500 | 540 | 73,26 | 20,0 | 4,0 | 24,0 |
| 712 | 700 | 220 | 586 | 400 | 500 | 540 | 76,83 | 20,0 | 4,0 | 24,0 |
| 813 | 800 | 220 | 636 | 450 | 700 | 740 | 97,21 | 20,0 | 4,0 | 24,0 |
| 915 | 900 | 220 | 687 | 450 | 700 | 740 | 105,79 | 20,0 | 4,0 | 24,0 |
| 1016 | 1000 | 220 | 738 | 450 | 700 | 740 | 109,88 | 20,0 | 4,0 | 24,0 |